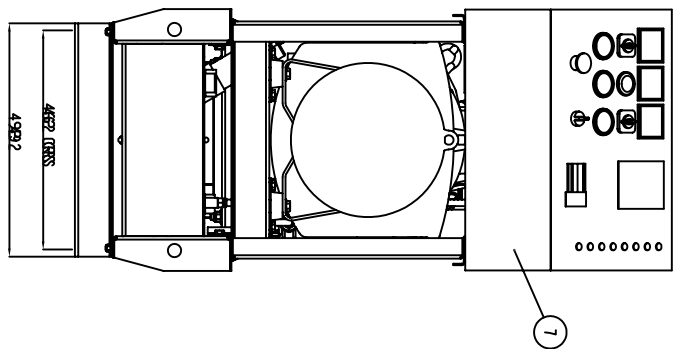
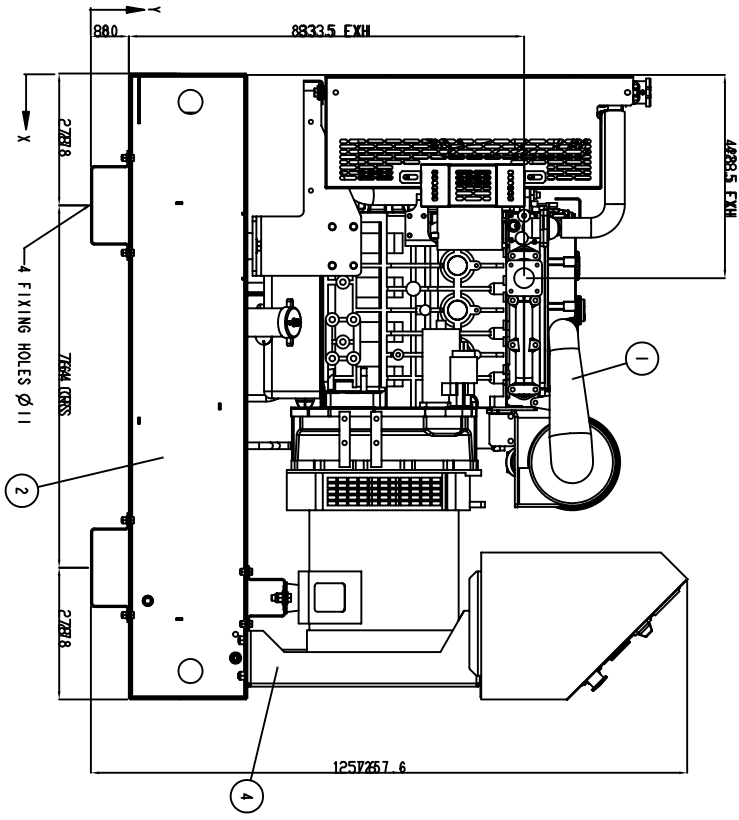
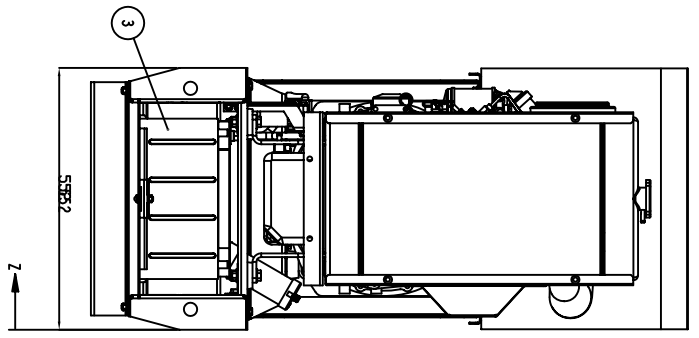
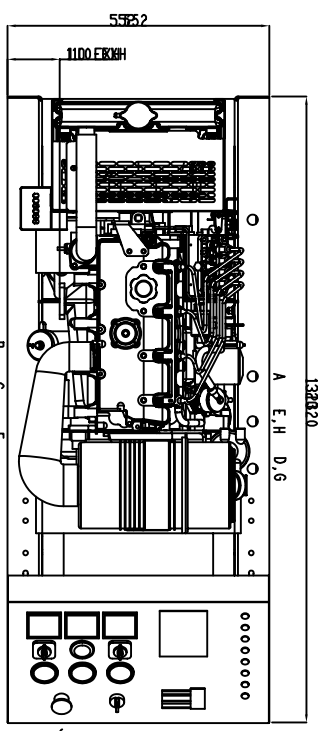


FOR INFORMATION ONLY

ENG / ALT	MASS (kg)		C OF G			
	WITH OIL	WITH OIL & WATER	DIM X	DIM Y	DIM Z	DIM 6
404C-2261 / L191014L	456	463	671	618	618	
404C-2262 / L191014L	456	463	671	618	618	
404C-2262 / L191014N	469	478	686	618	618	
404C-2262 / L191012N	461	468	667	618	618	
404C-2262 / L191012P	461	468	689	618	618	

FUEL TANK CAPACITY - 45 LITRES

ITEM	DESCRIPTION	DIM X	DIM Y	DIM Z
A	LUBE OIL DRAIN (IF FITTED)	390	330	517
B	FUEL FILL	325	420	70
C	FUEL GAUGE	640	322	156
D	FUEL SUPPLY	785	301	410
E	FUEL RETURN	685	301	410
F	LOW FUEL LEVEL SWITCH (IF FITTED)	760	295	156
G	EXTERNAL FUEL TANK CONNECTION - SUPPLY L/ABSP (IF FITTED)	785	380	517
H	EXTERNAL FUEL TANK CONNECTION - RETURN L/ABSP (IF FITTED)	685	380	517
J	CABLE EXIT	1280	820	130



ITEM QTY	DESCRIPTION	DWG / PART NO.
1	ENGLALT COMBINATION GROUP	MGSS289
2	BASEFRAME ASSEMBLY	MGSS111
3	BATTERY GROUP	MGSS122
4	PANEL STAND GROUP	MGSS120
5	FUEL LINE ARRANGEMENT	MGSS390
6	COUPLING GROUP	MGSS164
7	CONTROL PANEL (IF FITTED)	-
8	LVI - LUBE OIL DRAIN ASSY (IF FITTED)	MGSS296
9	CEC - GUARDS (IF FITTED)	MGSS441
10	DECAL ARRANGEMENT - UNIVERSAL LABELS	MGSS472
11a	DECAL ARRANGEMENT - BAW LABELS	MGSS474
11b	DECAL ARRANGEMENT - OLY LABELS	MGSS476

* - ITEM NOT SHOWN

DRN. BY G. KELLY
DATE 23-Jan-03
TITLE PERKINS 404C-22 & LS 1000 SERIES
SHEET SIZE ORIGINAL
SCALE DRAWING NO./ISSUE: MG66660 B
DO NOT SCALE
TOLERANCES EXCEPT WHERE OTHERWISE STATED
 50 ± 0.25mm ± 0.1mm
 OVER 200mm ± 0.5mm
 ALL DIMENSIONS IN MILLIMETRES UNLESS OTHERWISE STATED
 THIS DRAWING IS COMPUTERIZED AND MAY BE COVERED BY PATENT RIGHTS IN THE SOFTWARE AND HARDWARE EQUIPMENT OF THE PERKINS MANUFACTURER
 3rd ANGLE PROJECTION